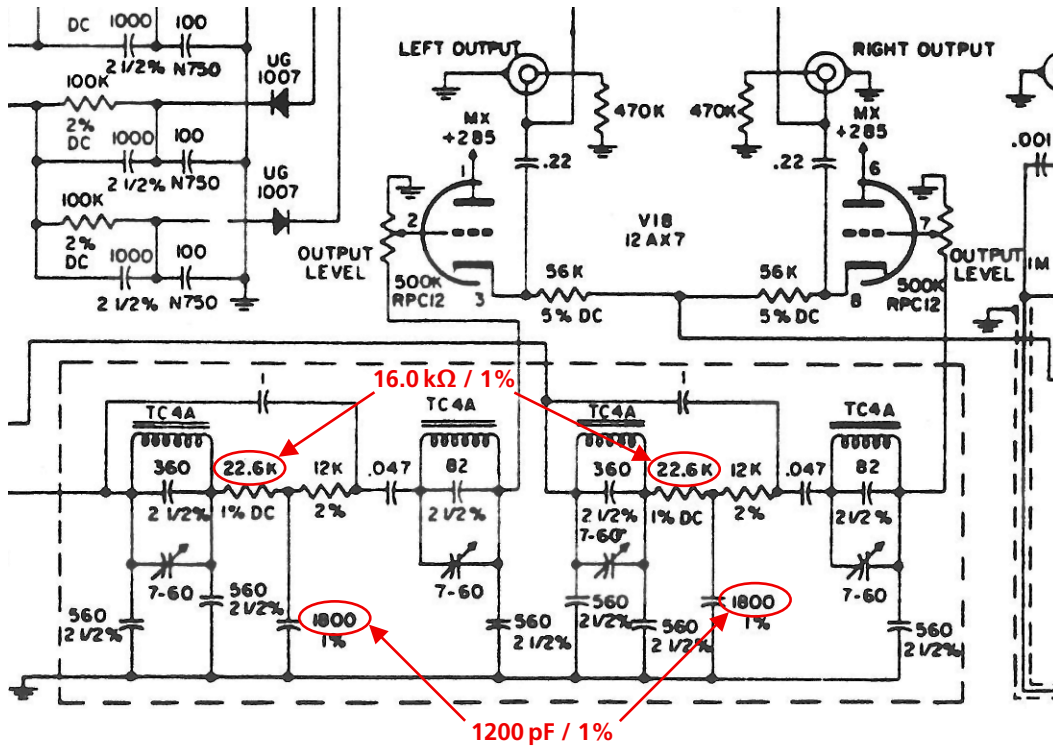


Marantz 10B De-emphasis 75 μ s / 50 μ s



Reference: Terry DeWick, 2009-10-29

Values from a Marantz factory service note on a supplied schematic, dated 1969